

VROOM DRAG MEET

10TH ANNIVERSARY EDITION

SUPPLEMENTARY REGULATIONS 2W & 4W

ORGANNISED BY



OFFICIAL MOBILE APLLICATION <https://onelink.to/3scppa> (IOS / ANDROID)

OFFICIAL WEBSITE : www.vroomgeneva.com



QR code of Official Mobile Application for download

(Press "Tab" after filling)

Name of the event	VROOM DRAG MEET 10 TH EDITION
Start Date of the event	17/05/2024
End Date of the event	19/05/2024
Status of the event	Open
Category	2W or 4W
Name of the Organizer	VROOM MOTORSPORTS PVT LTD
Address	#15, 1ST FLOOR JAYAMAHAL ROAD, JC NAGAR OPP. FUN WORLD, BANGALORE- 560006
Phone	9986450500
Email	tariq.m@vroomgeneva.com
Website	www.vroomgeneva.com
In Association with (if any)	
Name of the Organizer	SPEEDWAY MOTORSPORTS , HYDERABAD
Address	LEGEND CHAWLA APTS ; 401/A ; ROAD NO 5 ; BANJARA HILLS ; HYDERABAD -34
Phone	9246526520
Email	mandeep_dhingra@hotmail.com
Website	www.speedwaymotorsports.co.in

Supplementary Regulations

Approved by



WARNING

MOTORSPORT CAN BE DANGEROUS. DESPITE ORGANIZERS TAKING ALL POSSIBLE PRECAUTIONS UNAVOIDABLE ACCIDENTS MAY HAPPEN. YOU ARE PRESENT HERE AT YOUR OWN RISK.

TABLE OF CONTENTS

1. INTRODUCTION	4
2. ORGANIZATION	4
3. PROGRAMME	6
4. ENTRIES	7
5. INSURANCE	13
6. ADVERTISEMENT AND IDENTIFICATION	13
7. ADMINISTRATIVE CHECKS	13
8. PRE-EVENT SCRUTINEERING, SEALING AND MARKING	14
9. IDENTIFICATION OF OFFICIALS	14
11. PRIZES	14
12. PROTEST & APPEAL	15
13. RUNNING OF THE EVENT	16
14. SAFETY REQUIREMENTS	16
NAMES AND PHOTOGRAPHS OF CRO'S	17

1. Introduction

- 1.1 The **VROOM DRAG MEET 10TH EDITION** is run in compliance with the **2024** International Sporting Code of the Federation Internationale de l' Automobile (FIA), **2024** FMSCI General Prescriptions for Drag Racing, the relevant Drag Technical Regulations and these Supplementary Regulations (SRs).

The Federation of Motor Sports Clubs of India (FMSCI) is the National Sporting Authority (ASN) of FIA in India.

Modifications, amendments and / or changes to these SRs will be announced only by numbered and dated bulletins, issued by the organizers, approved by the FMSCI or Stewards.

- 1.2 Acquaintance with and submission to Rules

Every person, or group of persons, organizing a competition or taking part therein

- Shall be deemed to be acquainted with all the relevant rules and regulations of the FMSCI
- All competitors must sign the indemnity and declaration form, which are enclosed with the Entry Form
- These are conditions precedent attached to the submission of entries and taking part in an event and all competitors participating shall be bound by them and also the rules and regulations hereinafter set out or amendments made thereto.
- Shall undertake to submit themselves without reserve to the above and to the decision and consequences resulting therefrom.

2. Organization

- 2.1 **FMSCI Permit No./s:**

- 2.2 **Organizers name, address and contact details**

VROOM MOTORSPORTS PVT LTD
#15, 1ST FLOOR JAYAMAHAL ROAD, JC NAGAR OPP. FUN WORLD, BANGALORE- 560006
9986450500
tariq.m@vroomgeneva.com
www.vroomgeneva.com

- 2.3 **Managing Committee**

S MANDEEP SINGH DHINGRA	TARIQ MOHSIN	DR I VENKAT RAO

- 2.4 **Organizing Committee**

MOHAMMED ANAS JAVEED	KAMESH CHANDER	ABRARULLA
NAWAZUDDIN	HIDAYATULLA	KHALID MOHSIN

2.5 FMSCI Officials

Chief Steward	SAMIR PATEL
Steward	CHETAN SHIVRAM
Steward	DR I VENKAT RAO
Chief Scrutineer	SUBHASH CHANDER BOSE (2W) & TBA (4W)

2.6 Senior Officials

Clerk of the Course	S MANDEEP SINGH DHINGRA
Assistant Clerk of the Course	NARESH C RAMAN
Secretary of the Meet	NARESH C RAMAN
Chief Safety Officer	ABDUL MATEEN
Chief Medical Officer	DOCTOR FROM HOSPITAL
Chief Time Keeper	SAMIR SUNEJA
Competitors Relations Officer	TARIQ MOHSIN
Media Relations Officer	MOHAMMED ANAS JAVEED
Results Co-ordinator	KAMESH CHANDER
Sustainability Officer	TBA (with mobile number)
ASST SCRUTINEER 4W	MARK SANJAY
ASST SCRUTINEER 4W	TBA
ASST SCRUTINEER 2W	TBA
PADDOCK IN-CHARGE	SAAD KHAN MJ
ASST PADDOCK IN-CHARGE	SHABBIR ALI
ASST PADDOCK IN-CHARGE	MUJAHID
PARC FERME IN-CHARGE	SOUBAN AHMED
ASST. PARC FERME IN-CHARGE	RIZWAN
LEFT / RIGHT LANE MARSHALL	LEFT / RIGHT LANE MARSHALL
FLYING FINISH / HOLDING AREA	ABDUL MATEEN / AZAM

2.7 Location of HQ

From:

Day	DD / MM / YYYY	Time (hrs)	Venue
SATURDAY	27/04/2024	10:30	#15, 1ST FLOOR JAYAMAHAL ROAD, JC NAGAR OPP. FUN WORLD, BANGALORE-560006 HTTPS://GOO.GL/MAPS/J8GOL9X9KIP9PSK9

To:

WEDNESDAY	15/05/2024	18:00	#15, 1ST FLOOR JAYAMAHAL ROAD, JC NAGAR OPP. FUN WORLD, BANGALORE- 560006
-----------	------------	-------	---

From:

Day	DD / MM / YYYY	Time (hrs)	Venue
THURSDAY	16/05/2024	16:00	TANEJA AEROSPACE - HOSUR HTTPS://GOO.GL/MAPS/FU5UHNHOQ9YECQCN8

To:

SUNDAY	19/05/2024	19:00	TANEJA AEROSPACE - HOSUR
--------	------------	-------	--------------------------

3. Programme

17th MAY 2024

Time	Details
08:00 hrs	DOCUMENTS VERIFICATION , ISSUING ID & COMP. NO'S ETC
09:00 hrs	SCRUTINY OPEN FOR ALL 2W & 4W
14:00 hrs	LUNCH FOR ALL
14:30 hrs	PAID PRACTICE – FIXED MIN. WINDOW - IF ANY
15:00 hrs	FIRST STEWARDS MEETING
18:45 hrs	STEWARDS TRACK INSPECTION
19:00 hrs	TRACK CLOSED & SCRUTINY CLOSE
hrs	
hrs	
hrs	

18th MaY 2024

Time	Details
08:00 to 12:30 hrs	SCRUTINY OPEN FOR ALL 2W & 4W (FOR OUTSTATION PARTICIPANTS ONLY EXCEPT BANGALORE) & NOT FOR CLASSES RUNNING ON SATURDAY
08:00 hrs	RIDER'S / DRIVERS BRIEFING
09:00 hrs	OFFICIAL PRACTICE OPEN
10:30 hrs	OFFICIAL PRACTICE CLOSE
11:00 hrs	START OF DRAG - CLASSES- 2W - A,B,C1,C2,C3,C4,EV1&2,F 4W - I1A,I2A,I3A,I4A,I5A, I6A ,L1,L2,L3,L5,L7,L8,L9, - AS PER START ORDER
14:00 hrs	LUNCH FOR ALL
17:00 hrs	PRIZE DISTRIBUTION - DAY 1
18:00 hrs	TRACK CLOSED
hrs	
hrs	

19th MAY 2024

Time	Details
08:00 hrs	RIDER'S / DRIVERS BRIEFING (ONLINE / OFFLINE)
11:00 hrs	OFFICIAL PRATICE OPEN
12:30 hrs	OFFICIAL PRATICE CLOSE
12:31 hrs	START OF DRAG - CLASSES - 2W - D,E,C5,C6,C7 4W - I7A TO I9A, K1 TO K9, M1 TO M3,N1,R,Q - AS PER START ORDER
14:00 hrs	LUNCH FOR ALL
17:00 hrs	PRIZE DISTRIBUTION - DAY 2
18:00 hrs	TRACK CLOSED
hrs	
hrs	
hrs	

4. Entries

4.1 Opening and Closing Dates

Entries open with the publication of these Supplementary Regulations

Closing date of all entries: **Closing of entries 15/05/2024 20:00 Hrs . Closing of late entries 17/05/2024 14:00 Hrs. Withdrawal of entry : 16/052024 - 18:00 Hrs. Documentation check, issuing of ID Cards & Competition numbers stickers etc – 17TH MAY 2024**

Participants must fill up the Official Entry Form online available on our Official Mobile Application, <https://onelink.to/3scppa> (IOS / ANDROID) or www.vroomgeneva.com , by the appropriate closing dates. @ hrs

4.2 Entry Procedure

Those wishing to take part in the event must send the enclosed entry form duly completed to the permanent secretariat address given in Art.2.2 prior to the closing date as mentioned in Art.4.1

4.3 Maximum number of Entries

The maximum number of entries accepted would be no more than **600**. If more entries are than these are received, then the organizers reserve the right to decide which entries would be accepted.

4.4 Category, Groups & Classes & Entry Fees

FMSCI APPROVED CLASSES 2 WHEELERS

<input checked="" type="checkbox"/> 2 Wheelers: Scooters: Super Sport – Class A	
Class	Entry Fees
<input checked="" type="checkbox"/> Upto 80 cc – A1	3000 + GST
<input checked="" type="checkbox"/> 81 cc – 110 cc – A2	3000 + GST
<input checked="" type="checkbox"/> 111 cc – 160 cc – A3	3000 + GST
<input checked="" type="checkbox"/> 161 cc and above – A4	3000 + GST

<input checked="" type="checkbox"/> 2 Wheelers: 2 Stroke: Super Sport – Class B	
Class	Entry Fees
<input checked="" type="checkbox"/> Upto 130 cc – B1	3000 + GST
<input checked="" type="checkbox"/> 131 cc – 165 cc – B2	3000 + GST
<input checked="" type="checkbox"/> 350 cc and above – B3	3000 + GST

<input checked="" type="checkbox"/> 2 Wheelers: 4 Stroke: Super Sport – Class C	
--	--

Class	Entry Fees
<input checked="" type="checkbox"/> Upto 165 cc - C1	3000 + GST
<input checked="" type="checkbox"/> 166 cc – 225 cc – C2	3000 + GST
<input checked="" type="checkbox"/> 226 cc – 360 cc – C3	3000 + GST
<input checked="" type="checkbox"/> 361 cc – 550 cc – C4	3000 + GST
<input checked="" type="checkbox"/> 551 cc – 850 cc – C5	5000 + GST
<input checked="" type="checkbox"/> Single / Twin 551 cc – 750 cc – C6	5000 + GST
<input checked="" type="checkbox"/> Single / Twin 751 cc and above – C7	5000 + GST

<input type="checkbox"/> 2 Wheelers: 4 Stroke: Super Sport INDIAN – Class C I	
Class	Entry Fees
<input type="checkbox"/> Upto 165 cc - C11	
<input type="checkbox"/> 166 cc – 225 cc – C12	
<input type="checkbox"/> 226 cc – 360 cc – C13	
<input type="checkbox"/> 361 cc – 550 cc – C14	
<input type="checkbox"/> 551 cc – 850 cc – C15	
<input type="checkbox"/> Single / Twin 551 cc – 750 cc – C16	
<input type="checkbox"/> Single / Twin 751 cc and above – C17	

<input checked="" type="checkbox"/> 2 Wheelers: 4 Stroke: Super Sport – Class D	
Class	Entry Fees
<input checked="" type="checkbox"/> 851 cc – 1050 cc -D1	5000 + GST
<input checked="" type="checkbox"/> 1051 cc –1650 cc - D2	5000 + GST
<input checked="" type="checkbox"/> 1651 cc and above – D3	5000 + GST

<input checked="" type="checkbox"/> 2 Wheelers: Unrestricted – Class E	
Class	Entry Fees
<input checked="" type="checkbox"/> Upto 395 cc – E1	4500 + GST
<input checked="" type="checkbox"/> 396 cc to 550 cc – E2	6000 +GST
<input checked="" type="checkbox"/> 551 cc and above – E3	6000 + GST

<input checked="" type="checkbox"/> 2 Wheelers: Class EV OPEN (Electric 2 wheelers only. IC engine vehicles or hybrids not permitted)	
Class	Entry Fees
<input checked="" type="checkbox"/> SCOOTER OPEN	3500 +GST
<input checked="" type="checkbox"/> BIKE OPEN	3500 + GST

<input type="checkbox"/>	
--------------------------	--

PROMOTER CLASSES

<input checked="" type="checkbox"/> 2 Wheelers: Class F	
Class	Entry Fees
TBA F1	
TBA F2	
TBA F3	
TBA F4	

<input type="checkbox"/> 2 Wheelers: 4 Stroke: Super Stock INDIAN – Class S	
Class	Entry Fees
<input type="checkbox"/> Upto 165 cc - S1	
<input type="checkbox"/> 166 cc – 225 cc – S2	
<input type="checkbox"/> 226 cc – 360 cc – S3	
<input type="checkbox"/> 361 cc – 550 cc – S4	
<input type="checkbox"/> 551 cc – 850 cc – S5	
<input type="checkbox"/> Single / Twin 551 cc – 750 cc – S6	
<input type="checkbox"/> Single / Twin 751 cc and above – S7	

FMSCI APPROVED CLASSES 4 WHEELERS

<input type="checkbox"/> 4 Wheelers: Racing Class: Class G	
Class	Entry Fees
<input type="checkbox"/> TC1 – G1	
<input type="checkbox"/> TC2 – G2	
<input type="checkbox"/> TC3 – G3	
<input type="checkbox"/> TC4 – G4	
<input type="checkbox"/> TC5 – G5	

<input type="checkbox"/> 4 Wheelers: Formula Cars: Class H	
Class	Entry Fees
H1	
H2	
H3	
H4	
H5	

<input type="checkbox"/> 4 Wheelers : Street Stock Petrol: Class I (Two Wheel Drive)	
Class	Entry Fees
<input type="checkbox"/> Upto 1150 cc – I1	
<input type="checkbox"/> 1151 cc – 1450 cc – I2	
<input type="checkbox"/> 1451 cc – 1650 cc – I3	
<input type="checkbox"/> 1651 cc – 2050 cc – I4	
<input type="checkbox"/> 2051 cc – 2550 cc – I5	
<input type="checkbox"/> 2551 cc – 3060 cc – I6	
<input type="checkbox"/> 3061 cc – 4002 cc – I7	
<input type="checkbox"/> 4003 cc – 5100 cc – I8	
<input type="checkbox"/> 5101cc and above – I9	

<input checked="" type="checkbox"/> 4 Wheelers Street Stock Petrol: Class (Two Wheel Drive+ Four wheel drive)	
Class	Entry Fees
<input checked="" type="checkbox"/> Upto 1150 cc – I1a	5000 +GST
<input checked="" type="checkbox"/> 1151 cc – 1450 cc – I2a	5000 +GST
<input checked="" type="checkbox"/> 1451 cc – 1650 cc – I3a	5000 +GST
<input checked="" type="checkbox"/> 1651 cc – 2050 cc – I4a	5000 +GST
<input checked="" type="checkbox"/> 2051 cc – 2550 cc – I5a	5000 +GST
<input checked="" type="checkbox"/> 2551 cc – 3060 cc – I6a	5000 +GST
<input checked="" type="checkbox"/> 3061 cc – 4002 cc – I7a	7000 + GST
<input checked="" type="checkbox"/> 4003 cc – 5100 cc – I8a	7000 + GST
<input checked="" type="checkbox"/> 5101cc and above – I9a	7000 + GST

<input type="checkbox"/> 4 Wheelers: Street Stock Diesel: Class J (Two wheel drive+ Four wheel drive)	
Class	Entry Fees
<input type="checkbox"/> Upto 1150 cc – J1a	
<input type="checkbox"/> 1151 cc – 1450 cc – J2a	
<input type="checkbox"/> 1451 cc – 1650 cc – J3a	
<input type="checkbox"/> 1651 cc – 2050 cc – J4a	
<input type="checkbox"/> 2051 cc – 2550 cc – J5a	
<input type="checkbox"/> 2551 cc – 3060 cc – J6a	
<input type="checkbox"/> 3061 cc – 4002 cc – J7a	
<input type="checkbox"/> 4003 cc – 5100 cc – J8a	
<input type="checkbox"/> 5101cc and above – J9a	

<input checked="" type="checkbox"/> 4 Wheelers: Pro Stock Petrol: Class K	
Class	Entry Fees

<input checked="" type="checkbox"/> Upto 1150 cc – K1	5000 + GST
<input checked="" type="checkbox"/> 1151 cc – 1450 cc – K2	5000 + GST
<input checked="" type="checkbox"/> 1451 cc – 1650 cc – K3	5000 + GST
<input checked="" type="checkbox"/> 1651 cc – 2050 cc – K4	5000 + GST
<input checked="" type="checkbox"/> 2051 cc – 2550 cc – K5	5000 + GST
<input checked="" type="checkbox"/> 2551 cc – 3060 cc – K6	5000 + GST
<input checked="" type="checkbox"/> 3061 cc – 4002 cc – K7	7000 + GST
<input checked="" type="checkbox"/> 3061 cc – 4002 cc – K7A (ONLY TWO WHEEL DRIVE)	7000 + GST
<input checked="" type="checkbox"/> 4003 cc – 5100 cc – K8	7000 + GST
<input checked="" type="checkbox"/> 5101cc and above – K9	7000 + GST

<input checked="" type="checkbox"/> 4 Wheelers: Pro Stock Diesel: Class L	
Class	Entry Fees
<input checked="" type="checkbox"/> Upto 1150 cc – L1	5000 +GST
<input checked="" type="checkbox"/> 1151 cc – 1450 cc – L2	5000 +GST
<input checked="" type="checkbox"/> 1451 cc – 1650 cc – L3	5000 +GST
<input checked="" type="checkbox"/> 1651 cc – 2050 cc – L4	5000 +GST
<input checked="" type="checkbox"/> 2051 cc – 2550 cc – L5	5000 +GST
<input checked="" type="checkbox"/> 2551 cc – 3060 cc – L6	7000 +GST
<input checked="" type="checkbox"/> 3061 cc – 4002 cc – L7	7000 +GST
<input checked="" type="checkbox"/> 4003 cc – 5100 cc – L8	7000 +GST
<input checked="" type="checkbox"/> 5101cc and above – L9	7000 +GST

<input checked="" type="checkbox"/> 4 Wheelers : Indian Open: Class M	
Class	Entry Fees
<input checked="" type="checkbox"/> Upto 2750 cc – M1	7000 +GST
<input checked="" type="checkbox"/> Upto 4002 cc – M2	7000 +GST
<input checked="" type="checkbox"/> Unlimited – M3	7000 +GST

<input checked="" type="checkbox"/> 4 Wheelers: Unrestricted Class: Class N	
Class	Entry Fees
N1	8000 +GST

<input type="checkbox"/> 4 Wheelers: ET Novice: Class O (Two wheel drive)		
Class	Minimum Elapsed Time	Entry Fees
<input type="checkbox"/> Upto 1150 cc – O1	18.25 secs	
<input type="checkbox"/> 1151 cc – 1450 cc – O2	17.75 secs	
<input type="checkbox"/> 1451 cc – 1650 cc – O3	17.00 secs	
<input type="checkbox"/> 1651 cc – 2050 cc – O4	16.00 secs	

<input type="checkbox"/> 2051 cc – 2550 cc – O5	15.50 secs	
<input type="checkbox"/> 2551 cc – 3060 cc – O6	14.00 secs	
<input type="checkbox"/> 3061 cc – 4002 cc – O7	13.25 secs	

<input type="checkbox"/> 4 Wheelers: ET Professional: Class P (Two wheel drive+ four wheel drive + Imported cars)		
Class	Minimum Elapsed Time	Entry Fees
<input type="checkbox"/> Upto 2550 cc – P1	13.50 secs	
<input type="checkbox"/> 2551 cc – 3060 cc – P2	13.00 secs	
<input type="checkbox"/> 3061 cc – 4002 cc – P3	12.40 secs	
<input type="checkbox"/> 4003 cc – 5100 cc – P4	11.50 secs	
<input type="checkbox"/> 5101 cc and above – P5	9.60 secs	

<input checked="" type="checkbox"/> 4 Wheelers: EV Open: Class Q
--

PROMOTER CLASSES

<input checked="" type="checkbox"/> 4 Wheelers:	
Class	Entry Fees
TBA R1	
TBA R2	
TBA R3	
TBA R4	

Entry fees are inclusive of taxes applicable.

4.5 Payment

The entry fees can be either by demand draft in favour of **VROOM** payable at **BANGALORE** or by cash or by wire transfer.

Name of Bank	ICICI BANK
Branch	COX TOWN
Nature of Account	Current
Account Name	VROOM
Account No.	025205004825
IFSC Code	ICIC0000252

4.6 Refund

Entries fees will be refunded in full only

- To candidates whose entry has not been accepted
- In case of event not taking place

The organizers may refund 50% of the entry fee to those competitors who, for reasons of force-majeure (duly accepted by the organizing committee) were unable to start in the event, only with the event being held and Competitor being able to not participate.

5. Insurance

Organizers holding a valid 2024 FMSCI Permit for an event are covered for

Competitors: A maximum of 250 competitors with valid FMSCI Competition License participating in various events across the Country on a given day are covered for Personal Accident Insurance for Rs. 5 lakhs with Rs. 1 Lakhs medical expense extension per person.

Officials: A maximum of 100 officials officiating in various events across the Country on a given day are covered for Personal Accident Insurance for Rs.25 lakhs with Rs.5 lakh medical expense extension per person.

THESE INSURANCES ARE ISSUED BY UNITED INDIA INSURANCE COMPANY LTD AND VALID DURING THE RUNNING OF THE EVENT ONLY. ORGANIZERS / COMPETITORS ARE ADVISED TO TAKE ANY ADDITIONAL INSURANCES THEY MAY DEEM FIT. IF THEY HAVE MORE THAN 100 OFFICIALS & ALSO REQUIRE DOOR TO DOOR COVERAGE PLEASE CONTACT: S.MANIKANDAN@STENHOUSE.IN

Third Party Liability Insurance (Minimum 50 lakhs) taken by the Organizers

Dates covered:16TH TO 19TH MAY 2024

Amount:TBA

Company:TBA

6. Advertisement and Identification

- 6.1 It is compulsory to carry organizers advertisement on the competing vehicles.
- 6.2 Competitors are allowed to affix any kind of advertisements on their vehicle provided that
- Any instructions issued by the organisers are observed.
 - It is authorized by the National laws and FMSCI regulations
 - Advertising must not be of a political, obscene or insulting nature. It must be in good taste and not conflict with the vehicle's official numbers in any way
 - It should not be placed as to prevent recognition by Officials or Marshals.
 - The space designated in Appendix '4' of the General Prescription is left free of advertising other than that provided by the organisers.
 - f It does not encroach upon the spaces reserved for number plates and windscreen strips,
 - It does not interfere with the driver's vision through the windows.

7. Administrative checks

7.1 Documents Submission

Entrants should produce the following for inspection at the time of submitting the vehicle for pre-event scrutiny and administrative check on the date / time as mentioned in Art.3.

Competitors are required to bring:

- i) Special Drag Insurance cover valid for the dates of the event (Recommended)

- ii) Authority letter from owner of the vehicle if the driver / rider is not the owner of the vehicle used in the event
- iii) FMSCI Competition License for Driver (Minimum One Event Licence upto and including Open Status. Apply online from licence.fmsci.co.in for Club Sport / National Licence.
- iv) Entrant Licence / FMSCI Registration (if any)
- v) Pan Card copy of Competitor
- vi) 3 Passport size photographs

Competitors are required to carry all the above documents throughout the event. All the documents shall be valid for the date of the event.

8. Pre-event Scrutineering, Sealing and Marking

8.1 Pre event scrutiny Venue & Timings

Place : Taneja Aerospace ; Hosur

Date : 17th May 2024

Time : As Per Programme Released / Official WHATSAPP GROUP / Refer the official notice board / Official Mobile Application, <https://onelink.to/3scppa> (IOS / ANDROID) or www.vroomgeneva.com

8.2 Competitors Briefing Venue and timings

Place : Taneja Aerospace ; Hosur

Date : 18TH & 19TH MAY 2024

Time : 08:00

9. Identification of Officials

Safety Marshal	Orange
Safety Officer	Orange with white stripe and text
Post Chief	Blue with white stripe and text
Media	Green
Stage Commander	Red with text
Competitor Relations Officer	Red Jacket or Red Tabard
Medical	White
Radio	Yellow with blue mark
Scrutineer	Black

11. Prizes

1st , 2nd & 3rd Trophy + Certificate , Special Prizes & Tuner's Trophy for Fastest Times.
THE ORGANISER RESERVES THE RIGHT INCREASE THE PRIZES OR PRIZE MONEY (IF ANY)

12. Protest & Appeal

12.1 LODGING A PROTEST OR APPEAL

All protests and / or appeals must be lodged in accordance with the stipulations of Articles 13,14 and 15 of the Code.

12.2 PROTEST FEES

12.2.1 For Closed, Closed Invitation and Open Events, the protest fees is ₹7,080/= (Rupees Seven Thousand Eighty Only) (₹6,000/= +₹1080 GST) .

For Challenge, Cups, Series, Trophy, League Events, the protest fees is ₹14,160/= (Rupees Fourteen Thousand One Hundred Sixty Only) - GST included

For National status upto International Events, the protest fees is ₹21,240/-/= (Rupees Twenty One Thousand Two Hundred Forty Only) - GST included (Refer to FMSCI Schedule of Fees on www.fmsci.co.in for details).

12.2.2 If a protest requires the dismantling and re-assembly of a clearly defined part of the bike/car any additional deposit must be specified in the Supplementary Regulations– or will be specified by the Stewards upon a proposal of the FMSCI Technical Delegate / Chief Scrutineer.

12.2.3 If the protest is overruled or it is withdrawn after being brought, no part of the fee shall be returned. (Article 13.10.1 of FIA International Sporting Code)

12.2.4 If it is proved that the author of the protest has acted in bad faith, the FMSCI may inflict upon them one of the penalties laid down in the Code. (Article 13.10.3 of sporting code)

12.3 APPEALS

₹113,280/= (Rupees One Lakh Thirteen Thousand Two Hundred Eighty Only) (₹96,000/= +₹17,280/= GST)

- Competitors may appeal against decisions, in accordance with the stipulations set out in Articles 15.1 of the Code.
- Competitors have the right to appeal against a sentence or other decisions pronounced on them by the Stewards of the meeting. They must, however under pain of forfeiture of their right to appeal, notify the Stewards of the Meeting in writing within one hour of the publication of the decision, of their intention to appeal.
- The right to bring an appeal expires 96 hours from the moment the stewards are notified of the intention to appeal on condition that the intention of appealing has been notified in writing to the stewards within one hour of the publication of the decision. This grounds of appeal may be brought by fax or by any other electronic means of communication with confirmation of receipt. Confirmation by a letter of the same date accompanied by the necessary fee is required. The FMSCI will give its decision within a maximum of 30 days.
- All parties concerned shall be given adequate notice of the hearing of any appeal. They shall be entitled to call witnesses, but their failure to attend the hearing shall not interrupt the course of the proceedings.
- The confirmation of an appeal to the FMSCI must be accompanied by a fee of ₹113,280/= (Rupees One Lakh Thirteen Thousand Two Hundred Eighty Only).

- This fee becomes due from the moment the appellant notifies the Steward of the intention of appealing, and remains payable even if the appellant does not follow up the declared intention to appeal.
- If the appeal is rejected or it is withdrawn after being brought, no part of the fee shall be returned.
- If judged partially founded, the fee may be returned in part, and in its entirety if the appeal is upheld.
- If it is proved that the author of the appeal has acted in bad faith, the FMSCI may inflict upon them one of the penalties laid down in the Code.

13. Running of the Event

Distance:402 metres 1/4 mile


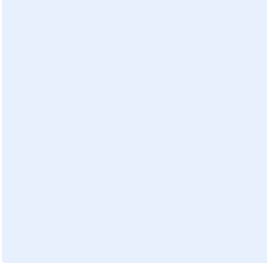
Width of the track:140 feet

Maximum Number of runs per day including practice:200+125

14. Safety Requirements

Please refer General Prescriptions.

Names and photographs of CRO's

	
TARIQ MOHSIN	CRO NAME
+917022450500	MOBILE
tariq.m@vroomgeneva.com	email

Will be present at :

- At the Secretariat.
- At the start of the scrutineering.
- Near the "PIT AREA".

Competitors Briefing , Pre event Scrutiny d Post event scrutiny

The competitors briefing will be held at a time and venue noted under point 8 above. All competitors MUST attend the briefing where an attendance register will be maintained. Non attendance will be reported to the stewards and shall entail a penalty of Rs2000/ and or disqualification.

Any vehicle taking part in the event must be pr presented by the competitor or his official representative to scrutineering at a time and venue noted under point 8 above. Competitors not adhering to the schedule will be charged a late scrutiny fee of Rs100/minute for a maximum of 15 minutes after which the competitor will be excluded. There will no refund of entry fees.

All competitors must present the prescribed safety gear (eg . Helmets , overalls, shoes , gloves, vss

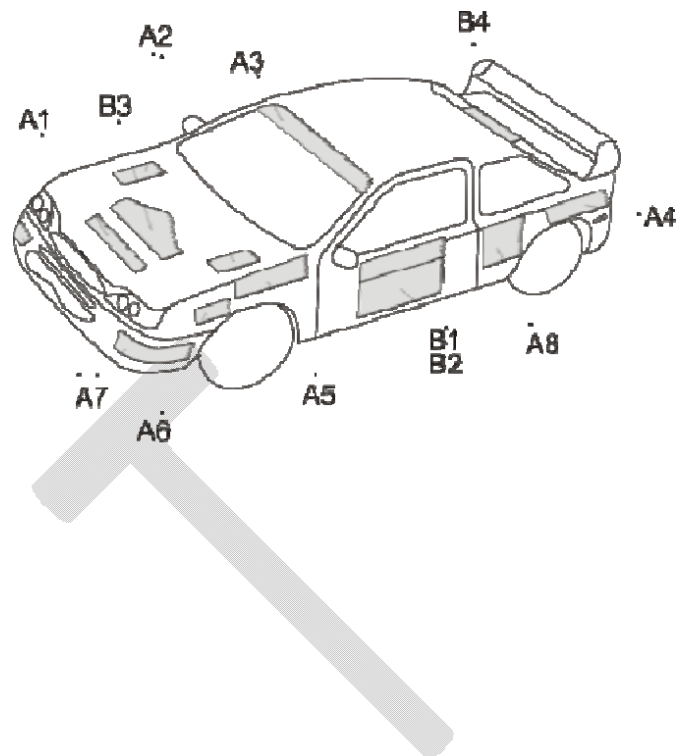
riding suit etc) to the scrutineer at the pre event scrutiny, and the vehicle must be presented with the competition number decals affixed.

All competing vehicles will remain in the Parc Ferme until officially released by the organiser. The top 3 or 4 competitors may be subjected to compulsory post event scrutiny. The FMSCI Technical delegate or Steward can at their discretion can dismantle and scrutinise any vehicle at any given time during the course of the event.

ADDITIONAL SUPPLEMENTARY REGULATIONS BY THE ORGANISER

WAIVERS SECTION

APPENDIX 1: COMPETITION NUMBERS & ADVERTISING



- A1 : TBA
- A2 : Club/Sponsor
- A3 : Sponsor
- A4 : Sponsor
- A5 : TBA
- A6 : TBA
- A7 : TBA
- B1 ~ B3: Competition Number

DOCUMENTATION / INFORMATION REQUIRED FOR ISSUE OF PERMIT

- Risk Analysis document duly filled in and signed by the Organizer and COC
- Safety & Medical Document duly filled in & signed both by the CMO & COC.
- Associate Hospital close by, Distance by Road and Hospital confirmation letter for acceptance of any injured participant if required for treatment.
- Track Layout Drawing, Barricading Drawing, Pits Location drawing, Paddock, Assembly Area Drawing, Scrutiny Area Drawing, COC and Stewards Area drawing.
- List of permissions applied for and acknowledgement of application from the department.
- 3rd party event Insurance copy.
- Preferred date for track inspection by FMSCI delegate.
- Details of Timing Equipment being used.

Appendix IV.

To All Participants

We, the organisers of the....., follow the FMSCI Sustainability Guidelines, the FIA Guide to Sustainable Events and the FIM Environmental Code, to the best of our abilities, for the future of our sport, and to respect nature and the environment.

We ask you to

- use an environment mat or other approved system while servicing or refuelling in order to prevent spillage of oil and fuel into the ground.
 - use the oil collection containers available in the pits when disposing of used oil.
 - bring refillable water bottles.
 - use waste bins for all rubbish.
 - please leave your pits/ service area clean, so that there is no trace of your activity.
 - not leave used tyres or parts behind. Dispose of them correctly.
 - Download the FIA Smart Driving Challenge App to evaluate your CO2 emissions.
- Please help us make our sport clean and environmentally friendly.

** END **

Note: For further queries regarding the guidelines, please contact the Chairperson, Environment and Sustainability Commission, Anita Nanjapa on +91 9442158283